

🕒 Z165 8-3/8" DIAMETER COMBINATION MAIN ROOF AND OVERFLOW DRAIN WITH LOW SILHOUETTE DOMES AND DOUBLE TOP-SET® DECK PLATE

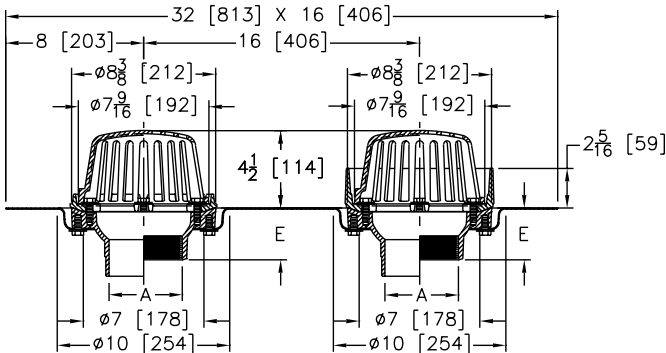


PATENTED

ENGINEERING SPECIFICATION

Zurn Z165 8-3/8" diameter roof drain and overflow drain feature Dura-Coated cast iron bodies with combination membrane flashing clamp/gravel guards, double Top-Set® deck plate, and low silhouette cast iron domes.

A Pipe Size inches [mm]	Dome Open Area sq in [cm ²]	Approximate Weight lb [kg]
2 [51], 3 [76], 4 [102]	43 [277]	36 [16]



PREFIXES	DESCRIPTION	PIPE SIZE	LIST PRICE
Z165*	D.C.C.I. Body with 4-1/4" Dome	2", 3", 4"	1,743.00
ZA165	D.C.C.I. Body with 4-1/4" Aluminum Dome	2", 3", 4"	1,928.00

OUTLETS (SPECIFY PIPE SIZE IN INCHES AND TYPE OF OUTLET)			
OUTLET TYPE	OUTLET DESIGNATION (PIPE SIZE/OUTLET TYPE)	E BODY HT. DIM.	ADD
IC	Inside Caulk	2IC, 3IC, 4IC	3-7/8" N/C
IP	Threaded	2IP	2-7/16" 157.00
		3IP	2-3/4" 157.00
		4IP	3" 157.00
NH	No-Hub	2NH, 3NH, 4NH	4" N/C
NL	Neo-Loc (not recommended for roof drains)	2NL, 3NL, 4NL	3-13/16" N/C

SUFFIXES	ADD
-AR	Acid Resistant Epoxy Coated Finish 1,521.00
-E	Static Extension 1" thru 4" D.C.C.I. 344.00
	Galv. Galv. 654.00
	For Each Additional 1" above 4" - Per Inch (Specify Height) D.C.C.I. 173.00
	Galv. Galv. 326.00
-G	Galvanized Cast Iron 399.00
-SC	Secondary Clamping Collar 382.00
-SS	Stainless Steel Mesh Screen Over Dome 704.00
🕒 -TC	Neo-Loc Test Cap Gasket (2", 3", 4" NL Bottom Outlet Only) 47.00
-VP	Vandal-Proof Secured Top 228.00
-XJ	Vertical Expansion Joint (See Z190) (Use with IP Outlets Only) -
-84	Stainless Steel Perforated Gravel Guard 1" thru 4" 1,566.00
	For Each Additional 1" above 4" - Per Inch (Specify Height) 72.00
-85	Stainless Steel Perforated Extension 1" thru 4" 1,577.00
	For Each Additional 1" above 4" - Per Inch (Specify Height) 72.00

BEST SELLERS	LIST PRICE
Z165-2NH	1,743.00
Z165-3NH	1,743.00
Z165-3NL	1,743.00
Z165-4NH	1,743.00
Z165-4NL	1,743.00

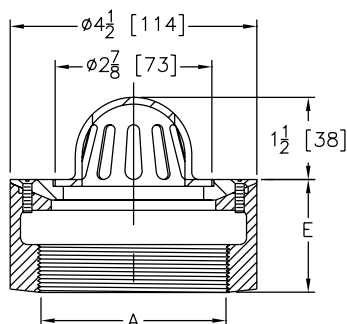
Z180 4-1/2" DIAMETER CORNICE DRAIN WITH BOTTOM OUTLET



ENGINEERING SPECIFICATION

Zurn ZRB180 4-1/2" diameter by 2" high cornice drain features Dura-Coated cast iron body, plain bronze dome, and membrane flashing clamp.

A Pipe Size inches [mm]	Dome Open Area sq in [cm ²]	Approximate Weight lb [kg]
2 [51], 3 [76]	4.5 [29]	5 [2]



PREFIXES	DESCRIPTION	PIPE SIZE	LIST PRICE
ZRB180*	D.C.C.I. Body with Plain Bronze Dome	2", 3"	417.00

ZN180	D.C.C.I. Body with Polished Nickel Bronze Dome	2", 3"	622.00
-------	--	--------	--------

OUTLETS (SPECIFY PIPE SIZE IN INCHES AND TYPE OF OUTLET)			
OUTLET TYPE	OUTLET DESIGNATION (PIPE SIZE/OUTLET TYPE)	E BODY HT. DIM.	ADD
IP	Threaded	2IP, 3IP	2" N/C
NH	No-Hub (IP w/Z1040)	2NH, 3NH	4-1/2" N/C
SUFFIXES	ADD		
-FS	Flat Strainer (ZN) N/C		
-G	Galvanized Cast Iron 158.00		
-VP	Vandal-Proof Secured Top 58.00		

Supplied By:



877-903-7246

www.commercialplumbingsupply.com

*Regularly furnished unless otherwise specified.

Items designated as Best Sellers are most specified and are generally in stock for shipment.

🕒 This symbol denotes a product that is engineered to reduce installation and rework time.